

DVR DVR TRI 16 PLUS

New



Fracarro launches the new DVR TRI 16 PLUS, compact and powerful solution that extends the DVR range for 16 channels: analogue, AHD and IP technology simultaneously.

As always, the range of Fracarro DVR is characterized by the most advanced features and exceptional ease of use, thanks to 'intuitive menu Fracarro icons.

The DVR TRI 16 PLUS is a true concentrate of technology that offers all the typical characteristics of Fracarro solutions: Esaplex, real-time recording, 960H Resolution, 720p or 1080p, HDMI video output, BNC and VGA, two-way audio, motion detection, multilanguages graphical menu, internet connection with multistream, and MAX 5 HDD internal.

The programming interface allows you to set all the recording parameters (quality, resolution, and speed) for each camera, and even today the schedule is differentiable for each channel.

The DVR is fully remote controllable by both Windows and MAC systems is also compatible with both the graphical maps interactive software Fracarro that with the free application "Fracarro iDVR" which allows convenient management of all smartphones and tablets that Apple and Android.

The DVRs are supplied with remote control and batteries, USB optical mouse and CD with software.

Features

- AHD @ 720p and 1080p
- IP @ 720p and 1080p
- Analog @ 960H, Full-D1
- Output: HDMI, VGA and BNC Main
- Real time Recording, Playback e Live
- Easy graphical menu OSD multilanguages
- MAX 5 Hard disk to 4TB (not included)
- Independent Recording for single camera with setting of Quality (9 levels), Speed (1-25fps), Resolution (1080p, 720p, 960H, Full-D1), week plan (day and time).
- Automatic gate router configuration (UpNP)
- Easy internet connection with our Fly2DNS server
- Interactive gaphic mapp Software (for connection up to 10 DVR)
- Free APP «**Fracarro iDVR**» for smartphone and tablet Android and Apple



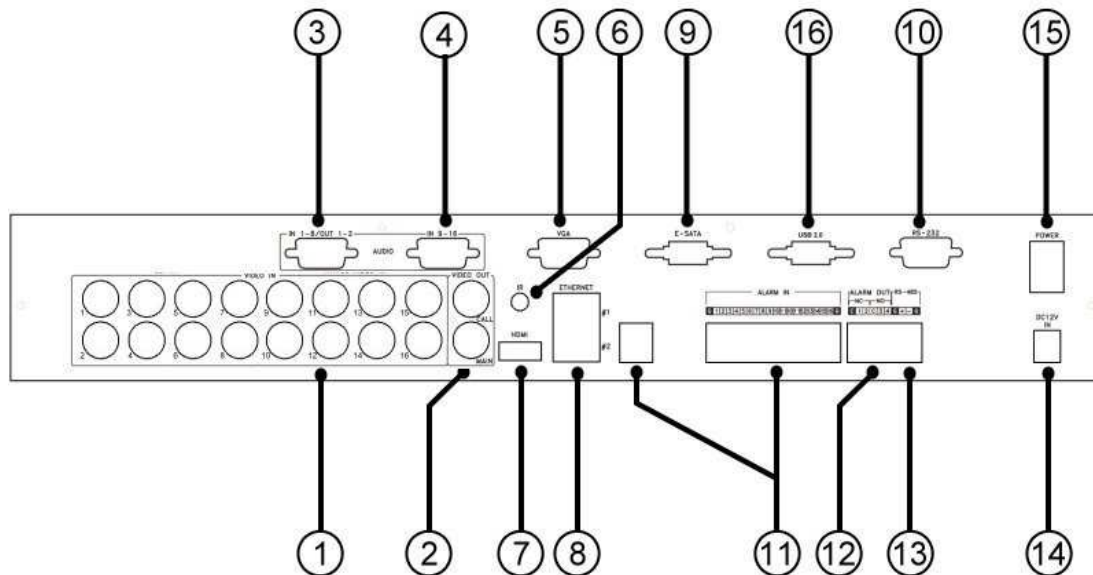
Other features

- Real Esaplex (Rec, Live, Play, Control, Backup, Remote control)
- AVI files for download files (USB, network)
- Motion detection multizone with sensibility
- Windows Xp, Vista e 7 e MAC
- Digital zoom 2X and 4X
- Rec FTP, e-mail, notification of events
- Smart Search
- Rec Pre/post alarm
- Privacy with Watermarking and selectable overwrite time (hours regulations)
- Privacy mask for single camera
- Network protocol (TCP/IP, PPPoE, DHCP, DDNS, SMTP, FTP)
- 18 accounts with 4 levels of protection password

DVR TRI 16 PLUS	
System	918320
Multiplex	Hexaplex operation - simultaneous record, live, playback, backup, control, & remote access
Video	
Format	IP-CAM: ONVIF Profile S Analog: NTSC / PAL AHD / Analog
Input	IP-CAM: up to 8-CH 1080p / 720p Analog: up to 16-CH AHD 1080p, BNC, 1Vp-p/75ohm
Main monitor	HDMI x 1, with resolution up to 1920x1080, VGA x 1, with resolution up to 1920x1080, BNC x 1, 1Vp-p/75ohm
Call monitor	BNC x 1, 1Vp-p/75ohm, shared with Main monitor
Detection	Yes, Loss detection
Motion detection	Yes, with configurable detection area & sensitivity
Privacy mask	Yes
Audio	
Input	8 RCA-jack connectors, line-in level (100mV-1Vrms)
Output	HDMI, 2 RCA-jack connector, line-out level (< 1Vrms)
Record	
Type	Compression: Video: H.264, Audio: ADPCM
Max frame rate & resolution	IP-CAM: 180fps@1080p, 240/200fps@720p Analog: 1200fps@1080p, 2400fps@1080p-lite/720p, 480/400fps@960H Up to 60Mbps incoming bandwidth for IP-CAM
Mark	Yes, Watermark
Mode	Manual/Schedule/Alarm/Motion
Pre-rec	0 - 10 seconds
Post-rec	0 - 60 minutes
Display	
Resolution	HDMI/VGA - up to 1920x1080 PAL - 720*576 NTSC - 720*480,
Split windows	1/4/7/9/10/13/16
View	Frame rate Up to 30/25fps per display window
Zoom	Digital X2, X4
	Sequential switch User adjustable
Playback	
Max frame rate & resolution	IP-CAM: 180fps@1080p, 240/200fps@720p, Analog: 120fps@1080p, 240fps@1080p-lite/720p, 480/400fps@960H
Search	Smart search, Date/time, Camera, Alarm, & Motion
Operation	Play, Fast Forward, Backward, Pause, Stop, Snapshot, etc. Remote I.E. and HEM can also Print, Snapshot
Storage	
HDD	Up to 5 set of SATA HDD with storage > 4TB/HDD Failure detection & privacy law supported
HDD extension	1 eSATA connector for up to 5 HDDs

Backup	2 USB 2.0 port Internal DVD optional (+RW, +R, -R) Self playback for backup files
Alarm	
Set/unset – Panic	1 contact or TTL/CMOS signal, polarity selectable
Input	16 contact or TTL/CMOS signal, polarity selectable
Output	2 Normally Open or Normally Closed relay output
Buzzer	Yes
Trigger	Sensor input, Video loss, & Motion
Event	Yes Event Log
Network	
Ethernet	1 RJ-45 10M/100M bps Ethernet connector
Web	Remote setup, monitoring, backup, alarm notification, remote software upgrade Support Windows 8/7, Vista, XP, and 2003 1 I.E./Firefox for multiple DVRs Configurable HTTP/SMTP/FTP/Control/Data port
DDNS	Free DDNS server
E-mail / Push alarm	Alarm notification to stationary or mobile devices
FTP	Alarm video/audio file storage
Video	1/4/9/16/25/36/49/64 split-window SEQ mode for I.E. and HEM Dynamic electronics maps for HEM Dynamic N-Streaming live view
Audio	Two-way
Protocol	TCP/IP, HTTP, PPPoE, DHCP, DDNS, FTP, TSP, NTP, RTSP, P2P
Remote	Up to 8 users simultaneously
Bandwidth	TCP/IP type dynamic sliding window control
Remote PC	PC, Mac
Mobile	mobile phone, PDA, and/or tablet PC with free iPhone/iPad/Android app “Fracarro iDVR”. Full management (unlimited DVR)
Control / POS / GPS	
Remote controller	Yes for up to 4 DVR
RS-232	1 D-Type connector for PTZ, kryboard, POS or GPS
RS-485	2-pin for keyboard/PTZ control
Setup	
Local	On screen setup via keypad, remote controller, mouse, and/or RS-485 keyboard
Remote	Setup & upload via Windows application software
Lingue	Yes Multilanguages
Reliability	
System recovery	Auto power on after power loss recovery
Timer	Built-in real time clock, with watch dog timer
Security	Multi-level password (4 levels, up to 18 accounts)
General	
Dim.. (mm)	430(W)x350(D)x66(H)
Weight Kg	4 KG (without HDD)
Power Volt	+12VDC
Power W	100W Max. (with 5 HDD)
Operating Temperature	0°C ~ +40°C

Back panel



N ^o	Connectors	N ^o	Connectors
1	BNC video inputs 16	9	eSATA Connector for external HDD
2	BNC main video output	10	RS-232 connector
3	Audio input 1-8, audio output 1-2	11	Alarm Input 1-16
4	Audio input 9-16	12	Alarm output (2NC pin 1-2 and 2NO pin 3-4)
5	Video VGA output	13	RS-485 connectors for PTZ and control keyboard
6	Connector for IR remote control sensor	14	Power supply 12Vdc input
7	Video HDMI output	15	Power supply switch
8	Ethernet RJ45 connector	16	USB port (mouse reserve)

Accessories	Code	Descriptions
HDD-500S	918222	Hard disk 3,5" 500 GB 7200 rpm SATA
HDD-1000S	918223	Hard disk 3,5" 1000 GB 7200 rpm SATA
HDD-2000S	918233	Hard disk 3,5" 2000 GB 7200 rpm SATA
DVD-SATA	918126	Sata DVD for backup/playback: DVD+RW, DVD+R, DVD-R
DVR-SPEED-KB	918125	Control key (RS485) for total 256 DVR and Fracarro Speed Dome
DVR-EXT-REMOTE	918136	Remote control with external IR sensor (3m cable)
AUDIO CABLE	918188	Audio cable with 8 input and 2 output
PSU-12V 3A-1PIN	093924	Power supply input 90-260Vac, output 12Vdc 3A, 1 PIN
MOUSE USB DVR	093923	Mouse USB